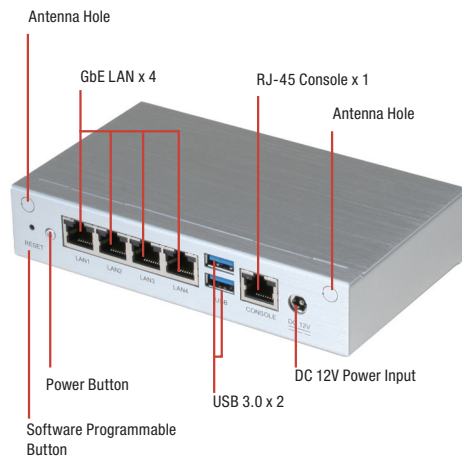


Desktop 4 LAN Ports Network Appliance with Intel® Celeron® N3350 Processor SoC

Front View



Rear View



Features

- Intel® Celeron® N3350 Processor SoC
- Onboard LPDDR4 1 GB Memory
- 10/100/1000Base-TX x 4
- Onboard 8GB eMMC, SATA 6.0 Gb/s Port x 1
- Mini-Card Slot (with SIM Socket) x 1
- RJ-45 Console x 1, USB 3.0 x 2



Internal/ Expansion Interface

PCIe Slot	—
Mini-PCIe Slot	Mini-Card socket (full-size) with SIM socket x 1
KB Mouse	—
USB	USB 3.0 x 2

Miscellaneous

RTC	Internal RTC
Watchdog Timer	1~255 steps by software programmable
TPM	(TPM v1.2 9660/TPM2.0 9665 Optional)
GPIO	Reserve internal pin header 8-bit Digital I/O interface (4-in /4-out)
Fan	Fanless
MTBF (Hours)	162,469
Color	Silver

Environmental Parameters and Dimension

Power Requirement	12V DC Power in connector
Operating Temperature	32°F ~ 104°F (0°C ~ 40°C)
Storage Temperature	-4°F ~ 140°F (-20°C ~ 60°C)
Operating Humidity	10%~80% relative humidity, non-condensing
Storage Humidity	10%~80% @40°C; non-condensing
Vibration	0.5 Grms/ 5 ~ 500Hz / operation (SATA DOM) 1.5 Grms/ 5 ~ 500Hz / non operation
Shock	10 G peak acceleration (11 m sec. duration), operation 20 G peak acceleration (11 m sec. duration), non operation
Dimension (W x D x H)	6.1" x 3.62" x 1.26" (155mm x 92mm x 32mm)

I/O

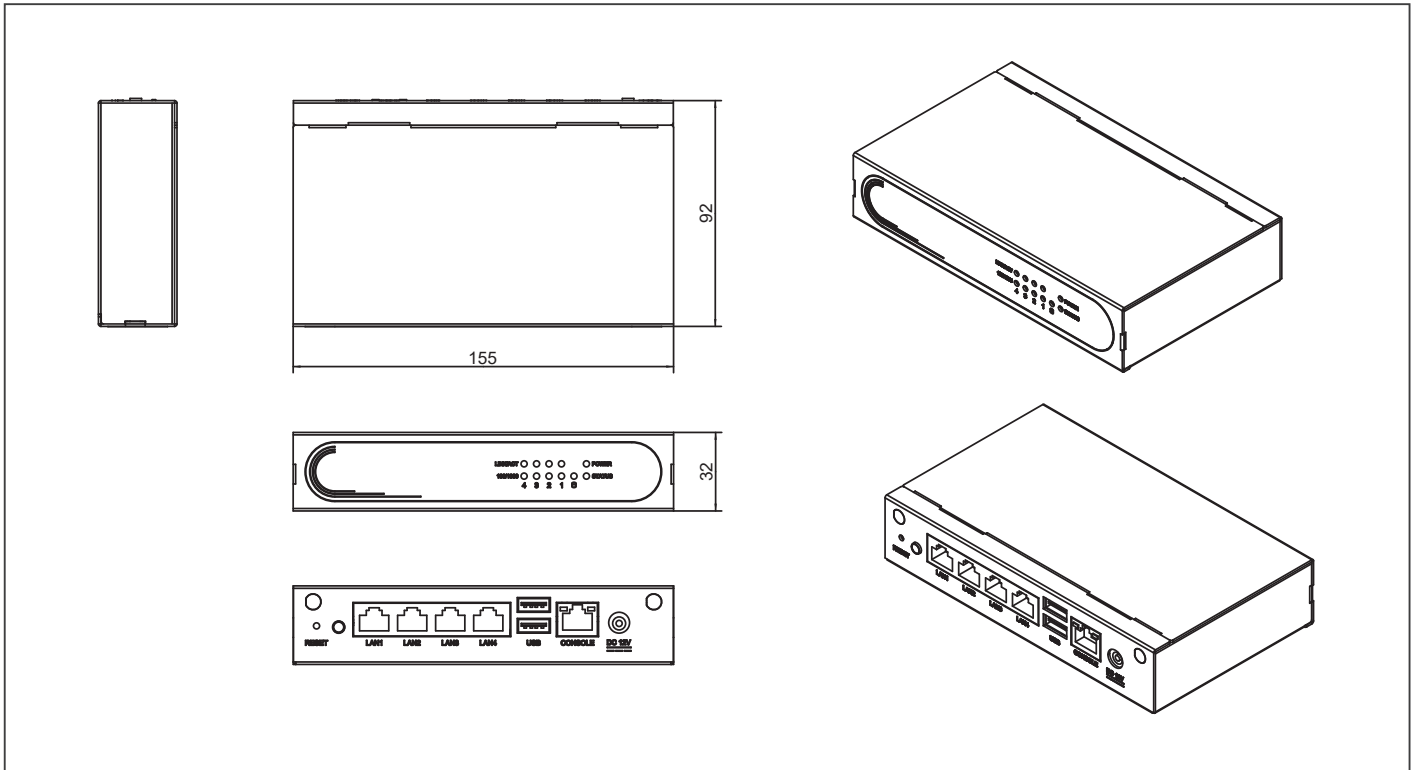
Front Panel	Power LED x 1, Status LED x 1, Storage Active LED x 1, LAN LED x 8
Rear Panel	USB 3.0 Port x 2, RJ-45 Port x 4, RJ-45 Console x 1, 12V DC Power Input x 1, Software Reset Button x 1, Power Button x 1, Antenna Hole x 2

Specifications

System	
Form Factor	Desktop Network Appliance
Processor	Intel® Celeron® N3350 Processor SoC
Chipset	Intel® Celeron® N3350 Processor SoC
System Memory	Onboard LPDDR4 1GB memory. Optional BOM SKU supports 204-pin DDR3L SODIMM x 1, up to 8GB
Network	
Ethernet	Intel® i211, Gigabit Ethernet x 4
Bypass	—
Display	
Graphic Controller	Intel® HD Graphics 505 Intergrated
Connector	—
Storage	
HDD	—
CF/CFAST/MSATA	Onboard 8GB eMMC SATA 6.0 Gb/s port x 1, for SATA DOM

Dimension

Unit: mm



Ordering Information

Part Number	CPU	Memory	Bypass	Mini-Card Slot	Storage	LAN	USB	Console	System Fan	TPM	Display	Mounting	Power
FWS-2272E4-A10-A10-00	Intel® Celeron® N3350	Onboard 1GB LPDDR4	—	Full Size (USB Only)+ SIM socket x 1	Onboard 8GB eMMC, SATA 6.0 Gb/s Port x 1	4	USB 3.0 x 2	RJ-45 x 1	Fanless	—	—	Desktop	DC

Packing List

- Power Adapter
- FWS-2272

Optional Accessories

- **1700091805**
Console Cable
- **1702021832**
Power Cord, 2P/2P, 1.8M, USA
- **1702021836**
Power Cord, 2P/2P, 1.8M, EU