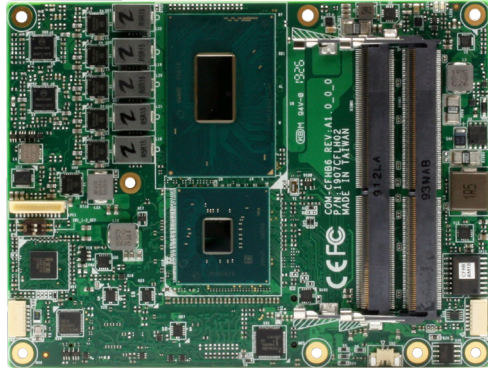


COM-CFHB6

COM Express Type 6 Basic Size with 8th/9th Generation Intel® Core™ H-Series / Xeon™ Processors



Features

- 8th / 9th Generation Intel® Core™ i3/i5/i7/Xeon-E Processors
- 3x SODIMM DDR4 2666 Memory up to 96GB, ECC support (by SKU, with CM246 PCH)
- Intel i219LM Gigabit Ethernet x 1
- VGA, 18/24-bit 2ch LVDS or 4-lane eDP, DDI up to 3
- High Definition Audio Interface
- SATA x 4, USB2.0 x 8, USB 3.2 Gen 2 X 4
- PCI-Express [x1] x 8, PCI-Express[x16] x1
- GPIO x 8, SMBus, I2C, LPC
- COM Express Basic Size, Pin-Out Type 6, 125mmx95mm
- Support Intel iAMT



Specifications

System	
Form Factor	COM Express Basic size, Type 6
CPU	8th/9th Gen Intel® Core™/ Xeon™-E Series Processor
CPU Frequency	Up to E-2276ME (2.8 GHz)
Chipset	Intel® QM370/CM246 PCH
Memory Type	DDR4, SO-DIMM x 3
Max. Memory Capacity	96GB, ECC Support (only with CM246 PCH)
BIOS	AMI UEFI
Wake on LAN	Yes
Watchdog Timer	255 Levels
Power Requirement	+12 V and +5 VSB for ATX, +12V for AT
Power Supply Type	AT/ATX
Power Consumption (Typical)	12V@4.65A , full load, E-2276ME
Dimension (L x W)	4.92" x 3.75" (125mm x 95mm)
Operating Temperature	32°F ~ 140°F (0°C ~ 60°C) -40°F ~ 185°F (-40°C ~ 85°C) Option
Storage Temperature	-40°F ~ 185°F (-40°C ~ 85°C)
Operating Humidity	0% ~ 90% relative humidity, non-condensing
Certification	CE/FCC Class A
Display	
Graphic Controller	Intel® GT2-P630 (Xeon series)/ GT2-630 (Core I series)
Video Output	3 Simultaneous Displays: 18/24-bit 2 Channel LVDS/eDP x 1 (Default: LVDS), DDI x 2 (Up to 3x DDI shared with VGA), VGA x 1
I/O	
Ethernet	Intel® i219 GbE x 1
Audio	High Definition Audio Interface
USB Port	USB 2.0 x 8, USB 3.2 Gen 2 x 4
Serial Port	2-Wire UART (Tx/Rx) x 2
HDD Interface	SATA 3 x 4
Expansion Slot	PCIe[x1] x 8 PCIe[x16] x 1 LPC SMBus I2C
GPIO	8-bit
Onboard Storage	—
TPM	TPM2.0

Packing List

- COM-CFHB6 x 1

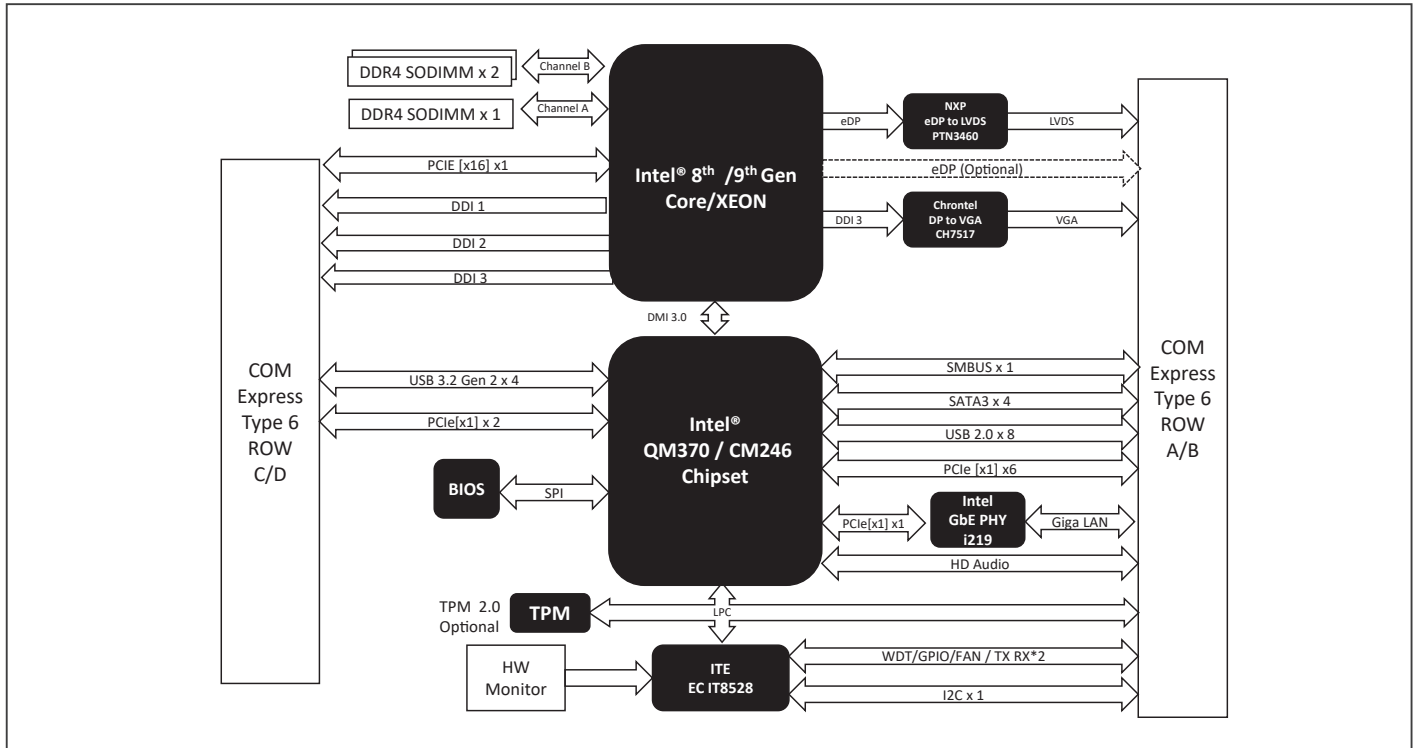
Optional Accessories

- **ECB-920A-A11-0001**
COMe Type 6/10, Carrier Board, ATX, 2.5GbE, 8USB, 2COM, 4SATA, PCIe, AT/ATX, Rev. A1.1
- **COM-CFHB6-FAN01**
CPU Cooler, FAN+Heat Sink, 125*95*41.55mm for COM-CFHB6
- **COM-CFHB6-HSP01**
Heat Spreader, 125*95, Black, COM-CFHB6

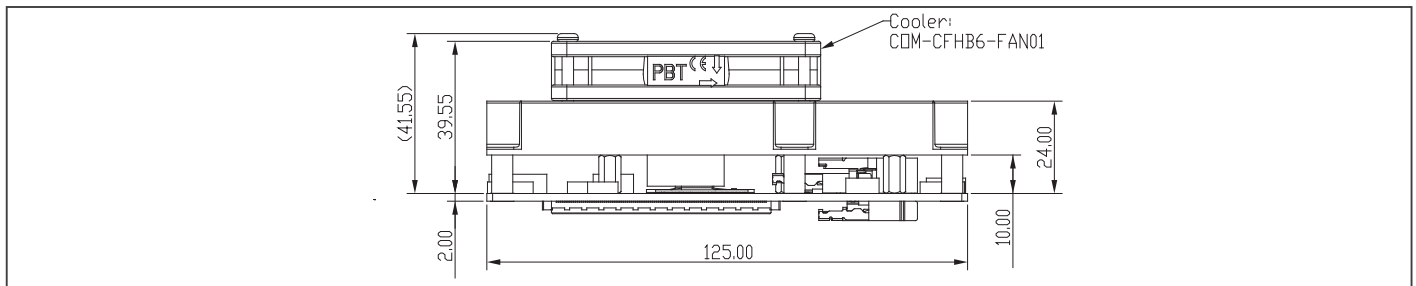
CPU Support Chart

CPU	Core/Thread	Base Frequency/ Turbo	TDP	ECC Support	Graphic	Chipset
XEON E-2276ME	6c/12t	2.8GHz/4.5GHz	12M	V	GT2-P630	CM246
XEON E-2276ML	6c/12t	2.0GHz/4.2GHz	12M	V	GT2-P630	CM246
XEON E-2254ME	4c/8t	2.6GHz/3.8GHz	8M	v	GT2-P630	CM246
XEON E-2254ML	4c/8t	1.7GHz/3.5GHz	8M	V	GT2-P630	CM246
i7-9850HE	6c/12t	2.7GHz/4.4GHz	9M	X	GT2-630	QM370
i7-9850HL	6c/12t	1.9GHz/4.1GHz	9M	X	GT2-630	QM370
i3-9100HL	4c/4t	3.0GHz	6M	X	GT2-630	QM370

Block Diagram Unit: mm



Dimension Unit: mm



Ordering Information

PART NUMBER	COM EXPRESS TYPE	CPU	MEMORY	DISPLAY	LVDS	STORAGE	LAN	USB	UART	EXPANSION	POWER	TEMPERATURE	OTHER
COM-CFHB6-A11-0001	Type 6 (COM.0 Rev. 3.0)	Xeon E-2176M	DDR4 SODIMM x3	VGA, DDI x 2 (up to 3)	18/24b 2ch LVDS/eDP	SATA3 x 4	GbE x 1	USB 3.2 Gen 2 x 4 USB 2.0 x 8	2-wire (Tx/Rx) x 2	PCIe [x1] x 8 PCIe[x16] x 1	+12V	0°C ~ 60°C	LPC, SMBus, I2C
COM-CFHB6-A11-0002	Type 6 (COM.0 Rev. 3.0)	I7-8850H	DDR4 SODIMM x3	VGA, DDI x 2 (up to 3)	18/24b 2ch LVDS/eDP	SATA3 x 4	GbE x 1	USB 3.2 Gen 2 x 4 USB 2.0 x 8	2-wire (Tx/Rx) x 2	PCIe [x1] x 8 PCIe[x16] x 1	+12V	0°C ~ 60°C	LPC, SMBus, I2C
COM-CFHB6-A11-0005	Type 6 (COM.0 Rev. 3.0)	Xeon E-2276ME	DDR4 SODIMM x3	VGA, DDI x 2 (up to 3)	18/24b 2ch LVDS/eDP	SATA3 x 4	GbE x 1	USB 3.2 Gen 2 x 4 USB 2.0 x 8	2-wire (Tx/Rx) x 2	PCIe [x1] x 8 PCIe[x16] x 1	+12V	0°C ~ 60°C	LPC, SMBus, I2C