



Features

- Compact fanless system with IBASE MB300 customized board
- Supports 7th/6th Gen Intel® Core™ i7/i5/i3 processors (35W TDP)
- 2MB MRAM module (optional)
- Front removable drive bay for HDD/SSD (supports RAID 0/1)
- Supports different types of Fieldbus through expansion slot
- Over/Under/Reverse voltage protection
- Supports DIN-rail mount & wall mount
- iSMART, iAMT (11.6)

Specifications

System Mainboard	MB300 with Intel® Q170 PCH
CPU Type	7th/6th Gen Intel® Core™ i7/i5/i3 desktop processors (35W TDP)
System Speed	Up to 3.4GHz
Memory	2x DDR4-2133 SO-DIMM, Max. 32GB
Construction	Aluminum & steel
Chassis Color	Sliver
Front Panel External I/O	2x Antenna hole for WLAN module
Rear Panel External I/O	1x DVI-I + 1x DisplayPort connector 1x Audio jack for Line-out 4x USB 3.0 ports, 2x USB 2.0 ports 1x Red HDD LED, 1x green power LED 2x Error LED by programming 1x Power button 1x 2-pin terminal block for external power button 1x RS232/422/485 port for COM#1 1x RS232 port for COM#2 2x RJ45 Gigabit Ethernet port 1x 3-pin DC-in terminal block type for 24V 3x fieldbus module bracket
Expansion slots	4x Mini PCI-E sockets (full-size)
Storage	2x 2.5" SSD (1x internal & 1x external-accessible) + 1x mSATA socket
Mounting	Desktop or wall mounting (wall mount kit included) Side mounting DIN-rail mounting (optional)
Dimensions	275mm (W) x 140mm (D) x 117mm (H) 10.83" (W) x 5.51" (D) x 4.61" (H)
Weight	3.3kg
Operating Temperature	-10°C to 60°C (14°F~140°F) *with air flow -10°C to 50°C (14°F to 122°F) without air flow
Storage Temperature	-20°C to 80°C (-4°F to 176°F)
Relative Humidity	5~90% @ 45°C, (non-condensing)
Vibration	Non-Operating: 1.0 grms / 5~500Hz / random operation Operating: 0.25 grms / 5~500Hz / random operation
Certification	CE / LVD / FCC Class B

Ordering Information

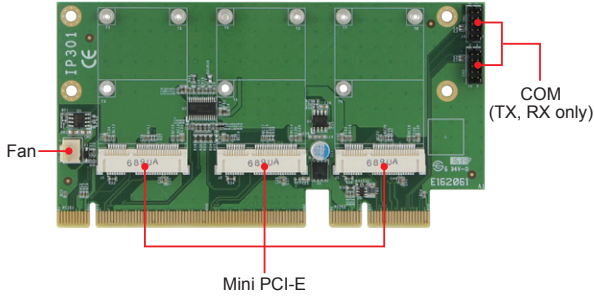
AMS301	Fanless system with MB300, w/ Intel® Core™ i7/i5/i3 desktop processor, 2x COM, 2x 4GB memory, 1x 2.5" 64GB MLC industrial-grade SSD, 3x Mini PCI-E, w/o power adaptor
180W power adaptor (Optional)	180W (24V@7.5A) power adaptor, bare wire type
2 nd storage BRK (Optional)	HDD/SSD BKT ASSY (SC2AMS300--A10100P)

Recommended Processor list

Model	TDP	Base Freq	Turbo Freq	Cache	Cores / Threads
i7-7700T	35W	2.9 GHz	3.8 GHz	8M	4/8
i7-6700TE	35W	2.4 GHz	3.4 GHz	8M	4/8
i5-7500T	35W	2.7 GHz	3.3 GHz	6M	4/4
i5-6500TE	35W	2.3 GHz	3.3 GHz	6M	4/4
i3-7101TE	35W	3.4 GHz	N/A	3M	2/4
i3-6100TE	35W	2.7 GHz	N/A	4M	2/4
G4400TE	35W	2.9 GHz	N/A	3M	2/2
G3900TE	35W	2.6 GHz	N/A	2M	2/2

Expansion Cards

IP301



Flexible Mounting

Side Mounting



DIN-rail Mounting



Field Bus Adaptor thru Mini PCI-E

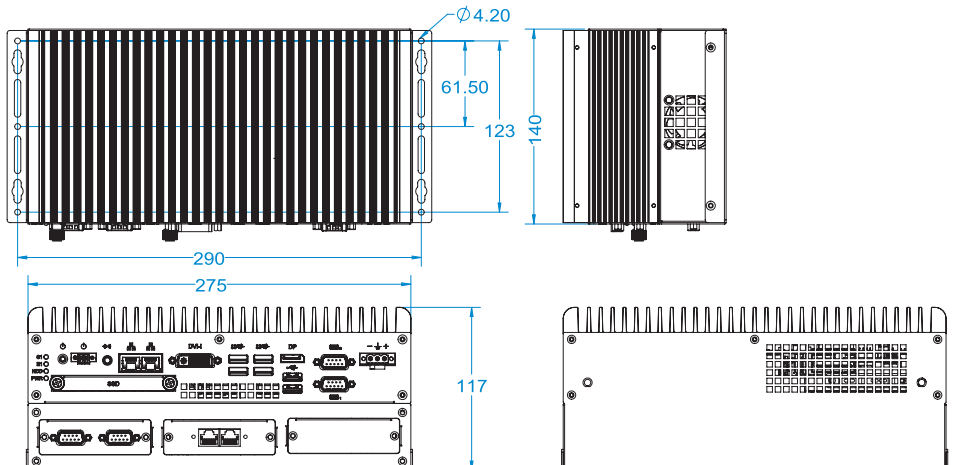


PROFINET module



PROFIBUS module

Dimensions and Drawing



1 Embedded Systems

2 CPU Modules

3 Disk-Size SBCs

4 Motherboards

5 CPU Cards